



# OUTLINE DIMENSIONS

MOTOR TYPE:  
AEUH8P-XXX

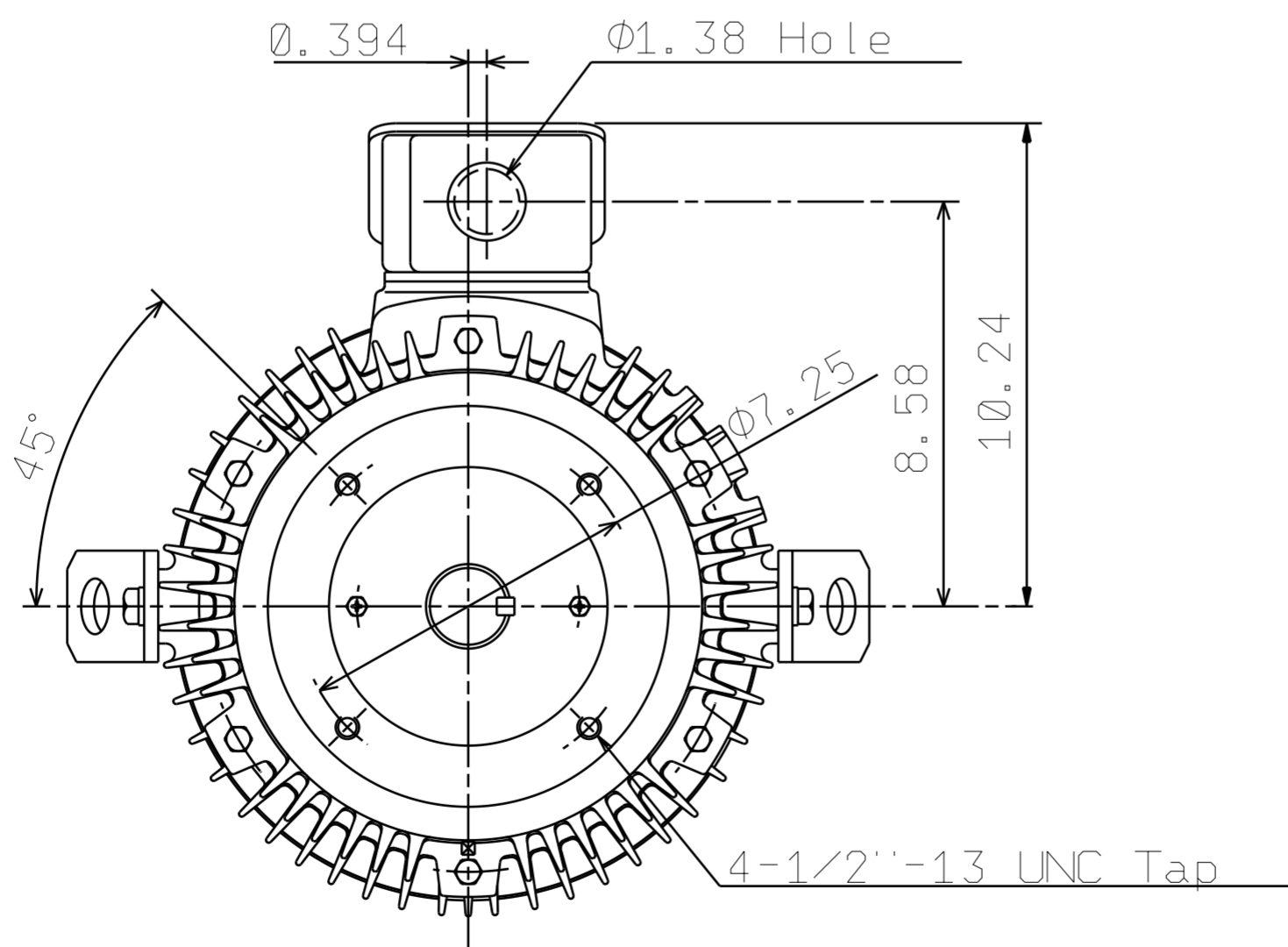
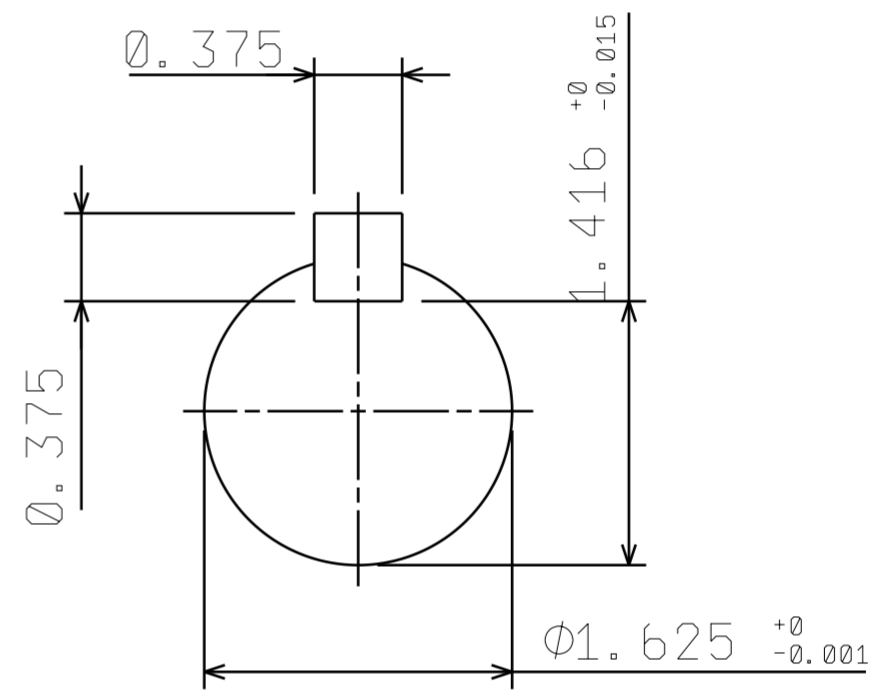
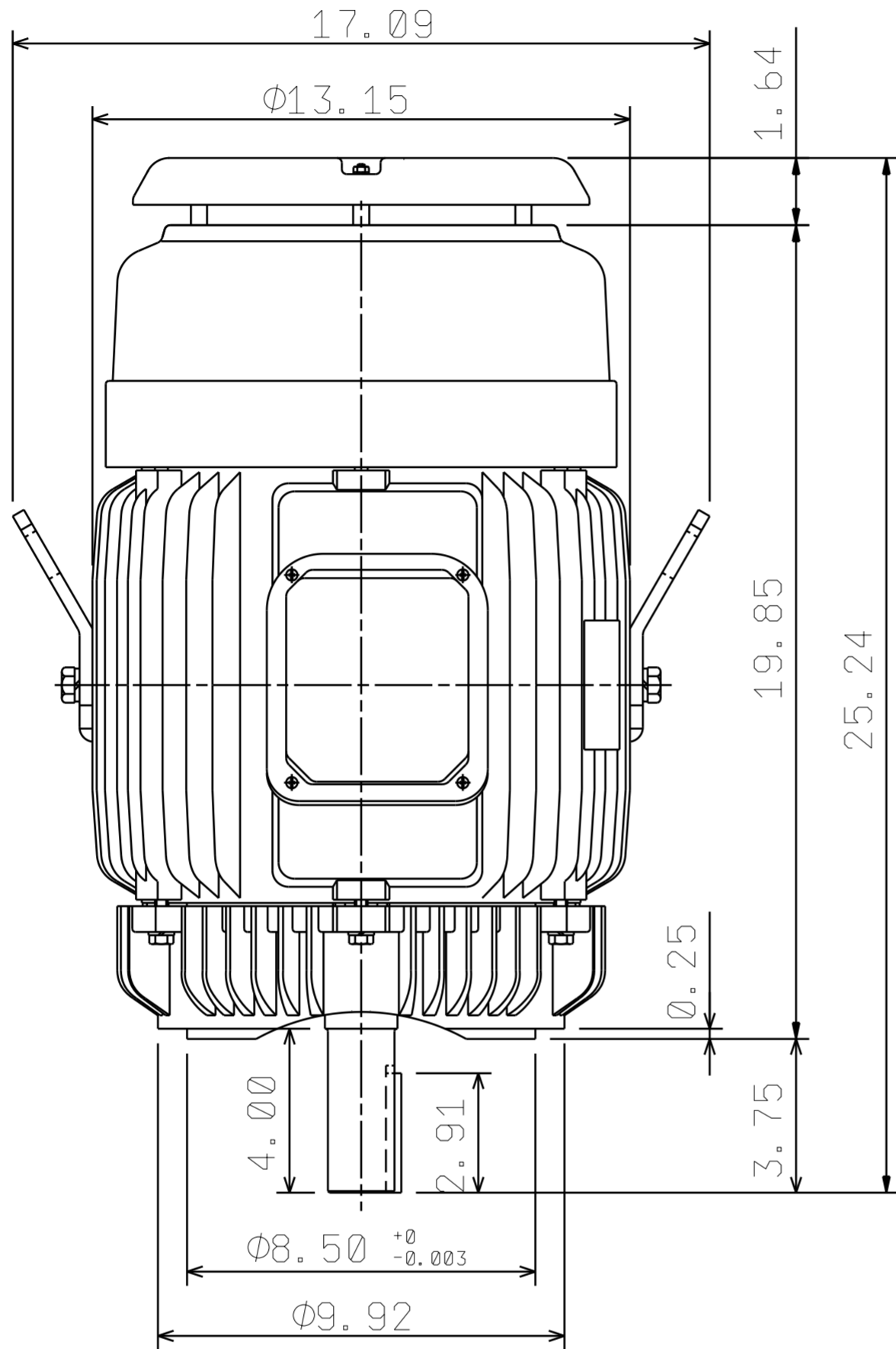
DATE

## 3-PHASE INDUCTION MOTOR

FRAME NO. 254TC

Pole	HP	kW	Hz	VOLT	r/min
4	1.5	11.19	60	230/460	1800
Ins	Rating	Dimension in	Approx Weight	Bearings	
F	CONT.	inches		DE: 6309ZZ NDE: 6307ZZ	

Totally Enclosed Fan-Cooled Vertical Type Squirrel-Cage Rotor.



TA17142-00-01

--	--	--	--

DWG.	^ B%\$00VAM	<b>東元電機股份有限公司</b> TECO Electric & Machinery Co., Ltd. TAIWAN	DWG NO.
CHKD.	^ B%R041017		31057A359350
APPD.	^ B%R041017		